

LP/P

The heart of every laboratory.



Innovative and versatile: The LP/P fermenter series

The LP/P fermenters are based on a proven platform concept and allow flexible adaptation to different requirements. The bottom drive with easily removable drive shaft ensures a low vessel height, facilitating lid access and installation even in rooms with limited height.

For cell culture, solutions such as rotor filters for perfusion, bubble-free gassing for shear-sensitive cells and empty sterilization for heat-sensitive media are available. Microbial fermentation is supported by special powerful agitation systems for organisms with high oxygen requirements. The fermenters are suitable for both batch and continuous processes.

They can be operated manually as stand-alone units or fully automated in production processes. They are controlled by local controllers (e.g. PLC) in combination with BioSCADA software.

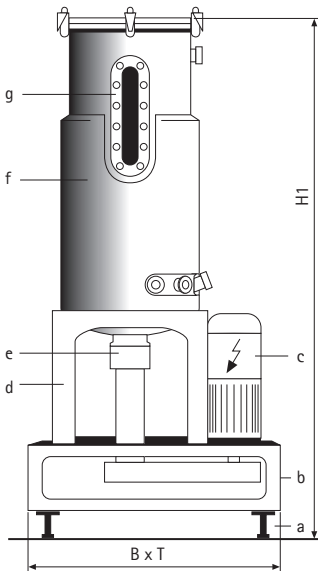
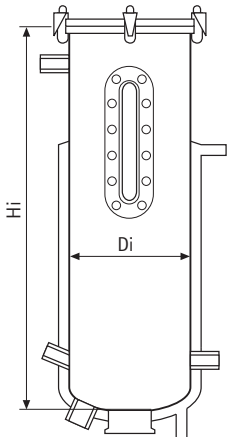
- For low volume production
- Link between development and production
- Wide range of options
- GMP documentation available



Easy access to components such as filters, heating circuit or supply and drain fittings.

Technical Details

- Working volume (approx.): 28 / 33 / 50 / 65 / 100 / 130 / 200 / 300 / 350 / 500 / 700 / 1000 liters
- Vessel: Stainless steel, double wall, also bottom area of vessel
- Drive: Bottom drive with belt, double axial face seal, magnetic drive, top drive
- Rushton, propeller stirrers, pitched-blade stirrers, vibromixer
- Auto-sterile filters, separate filters or double filters. Ring sparger, sinter sparger, surface gassing, bubble-free gassing. Up to 8 gassing lines with pulsed valves or mass-flow controllers.
- Temperature circuit and sterilization: Steam heating / cooling water. Automatic full and empty sterilization.
- Dosing / Transfer: Manual and controlled dosing, SteriCaps, transfer concepts, full valve automation. Multiple pump types available.
- Measurement and control technology: Speed, temperature, pH, pO₂, antifoam / level, redox, OD, weight, exhaust-gas analysis. Various interfaces and regulators for external devices / equipment available.
- BioSCADA: Process monitoring, data management, documentation, batch reports, profiles, cascades, sequencer program. Intuitive operation, no programming skills required.

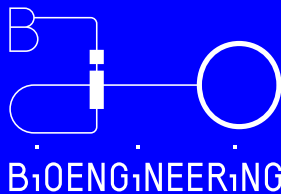


- a Adjusting foot
- b Machine base
- c Motor
- d Vessel base
- e Bearing assembly
- f Vessel
- g Longitudinal viewing glass

Dimensions

Pilot fermenter	Total volume	Working volume (approx.)	Inside diameter	Inside height	Vessel geometry	Height incl. base and lid	Base W x D
Type	L	L	Di [mm]	Hi [mm]	Hi/Di	H1 [mm]	[mm]
LP	42	28	250	760	3.0	1400	800 × 800
LP	50	33	300	805	2.7	1400	800 × 800
LP	75	50	350	825	2.4	1400	800 × 850
P	100	65	345	1090	3.2	1676	1000 × 1000
P	150	100	411	1159	2.8	1923	1000 × 1000
P	200	130	438	1360	3.1	2125	1000 × 1000
P	300	200	488	1492	3.1	2259	1000 × 1100
P	450	300	588	1695	2.9	2481	1000 × 1100
P	500	350	588	1895	3.2	2662	1000 × 1100
P	750	500	684	2108	3.0	3115	1300 × 1200
P	1000	700	784	2166	2.8	3268	1500 × 1380
P	1500	1000	880	2686	3.1	3790	1500 × 1380

Contact us for further information.



Bioengineering AG
Sagenrainstrasse 7, 8636 Wald, Switzerland
T +41 55 256 81 11
sales@bioengineering.ch

www.bioengineering.ch

Bioengineering – inspiring excellence

