



More information on the website  
[radwag.com/en/info,w1,B97](https://radwag.com/en/info,w1,B97)

# KIT 128 Density Determination Kit



The drawings, photos and graphics used are for illustrative purposes only.

## Overview

KIT 128 is a density determination kit intended for laboratory balances featuring 128x128 weighing pan.

This stainless steel accessory allows determining density of:

- solids,
- liquids.

For testing granulates of density value higher or lower than 1 g/cm<sup>3</sup> use KIT 85.

## Compatible with

### PS X2 Precision Balance

- PS 210.X2 Precision Balance [WL-218-0015]
- PS 600.X2 Precision Balance [WL-218-0022]
- PS 360.X2 Precision Balance [WL-218-0020]
- PS 1000.X2 Precision Balance [WL-218-0026]
- PS 750.X2 Precision Balance [WL-218-0024]

### PS R1 Precision Balance

- PS 1000.R1 Precision Balance [WL-213-0023]
- PS 750.R1 Precision Balance [WL-213-0022]
- PS 360.R1 Precision Balance [WL-213-0020]

### PS R2 Precision Balance

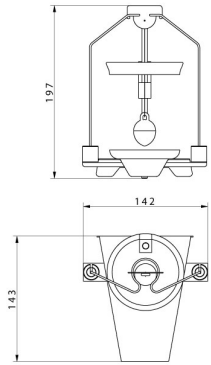
- PS 600.R2 Precision Balance [WL-212-0020]
- PS 750.R2 Precision Balance [WL-212-0021]
- PS 200/2000.R2 Precision Balance [WL-212-1003]
- PS 1000.R2 Precision Balance [WL-212-0022]
- PS 210.R2 Precision Balance [WL-212-0018]
- PS 360.R2 Precision Balance [WL-212-0019]

### PS X2 Balances for PGC

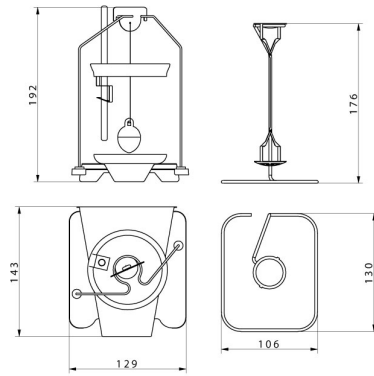
- PS 750.X2.PGC Precision Balance [WK-306-0005]

- PS 200/2000.R1 Precision Balance [WL-213-1002]
- PS 600.R1 Precision Balance [WL-213-0080]

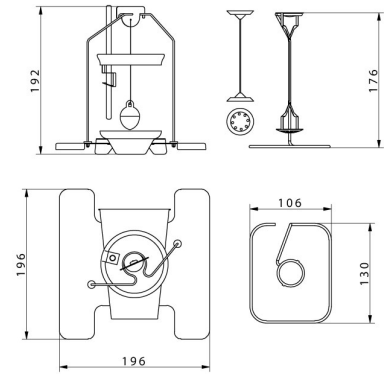
## Device dimensions



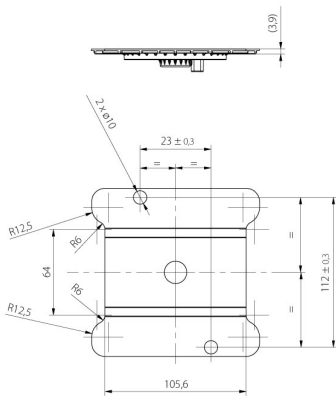
KIT 85



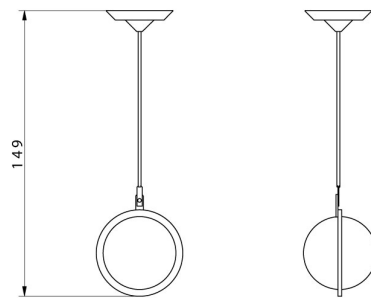
KIT 128



KIT 195



KIT 195.M



Granulte density  
determination KIT