



More information on the website
radwag.com/en/info,w1,GT1

PS 3500.R2.M Precision Balance



The drawings, photos and graphics used are for illustrative purposes only.

Functions



Autotest



Dosing



Percent Weighing



Totalizing



Parts counting



Peak hold



Newton unit measurement



Statistics



Checkweighing



GLP Procedures



Animal weighing



Density determination

Datasheet

Metrological parameters	
Maximum capacity [Max]	3500 g
Minimum load	500 mg
Readability [d]	0,01 g
Verification unit [e]	0,1 g
Tare range	-3500 g
Repeatability (Max)	0,008 g
Repeatability (5% Max)	0,005 g

Metrological parameters	
Linearity	±0,02 g
Stabilization time	1,5 s
Adjustment	internal (automatic)
OIML Class	II
Physical parameters	
Leveling system	manual
Display	LCD (backlit)
Protection class	IP 43
Delivery components	Balance, weighing pan, weighing pan shield, power supply
Weighing pan dimensions	195×195 mm
Packaging dimensions	465×370×290 mm
Net weight	4,5 kg
Gross weight	6 kg
Communication interface	
Communication interface	2×RS232 ¹ , USB-A, USB-B, Wi-Fi (option)
Electrical parameters	
Power supply	Adapter: 100 – 240V AC 50/60Hz 0,6A; 12V DC 1,2A Balance: 12 – 15V DC 0,4A max
Power consumption	4 W
Environmental conditions	
Operating temperature	+10 ÷ +40 °C
Relative humidity	40% ÷ 80%

Repeatability is expressed as a standard deviation from 10 weighing cycles. Stabilization time depends on the ambient conditions and the dynamics of weighing pan loading; specified for FAST profile. 1 Barcode scanners, available as weighing instrument accessory, communicate with the instrument via RS232 interface exclusively.

* Wi-Fi® is a registered trademark of Wi-Fi® Alliance.



Extra payment for verification



Accessories

Balance Storage Case

- Transport Case for PS, WLC (A1 and A2) Balances [WX-002-0049]

Power Adapters

- ZR-04/1 Powerbank [WX-015-0329]
- ZR-03/1 Powerbank [WX-015-0319]

Barcode scanners

- PD9330-AR Barcode Scanner [WX-006-0030]
- PM9300-D Barcode Scanner [WX-006-0033]
- LS2208 Barcode Scanner [WX-006-0005]
- PD9530 Barcode Scanner [WX-006-0014]
- DS2208 Barcode Scanner [WX-006-0036]
- PM9300 Barcode Scanner [WX-006-0031]
- PM9300-DK Barcode Scanner [WX-006-0034]

Cigarette lighter receptacle power supply cables

- K0047 Car lighter 12V cable [WX-013-0034]

Receipt Printer

- RTP-UEW80 Radwag Thermal Receipt Printer (USB + Ethernet + WiFi) [WX-007-0118]
- RTP-RU80 Radwag Thermal Receipt Printer (RS232 + USB) [WX-007-0119]

THBR 2.0 System - Ambient Conditions Monitoring

- RPanel BOX [WX-015-0216]

RS 232, RS 485 cables

- P0108 Cable [WX-013-0003]
- PT0443 Cable [WX-013-0229]
- P0108.5 Cable [WX-013-0161]

Protective cover for balances

- A2 Protective Cover for PS and WLC Balances with 195x195 mm Weighing Pan [WX-002-0033]
- Fabric Dust Cover for PS,WLC Balances [WX-002-0108]

USB cable (scale - printer)

- PT0238 USB Cable Type A-B [WX-013-0056]

Displays

- WD-6 LCD Display - Plastic Housing [WX-002-0030]

Density determination KIT

- KIT 195.M Density Determination Kit [WX-002-0115]

Under-pan weighing

- Under-pan Weighing Rack for AS and PS Balances [WX-002-0111]
- Under-Pan Weighing Hook (XA, AS, PS) [WX-015-0325]

RS 232 cables (scale - printer)

- P0151 Cable [WX-013-0002]

Software

- RAD Key [WX-010-0005]

- R-Panel [WX-010-0187]

- R-Lab [WX-010-0080]

- E2R Weighing Records [WX-010-0038]

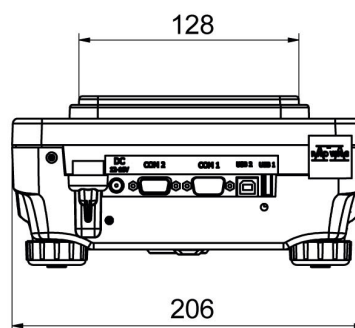
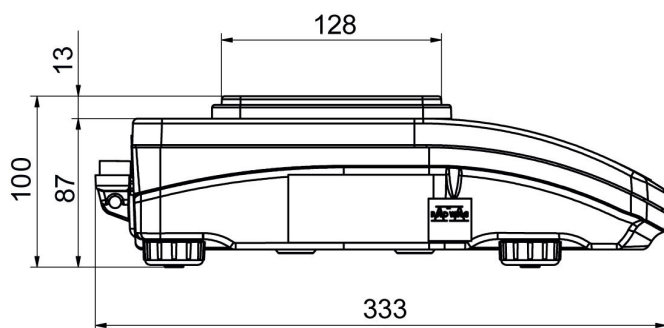
- LabVIEW "Radwag Balances & Scale" Driver [WX-010-0105]

- Alibi Reader [WX-010-0114]

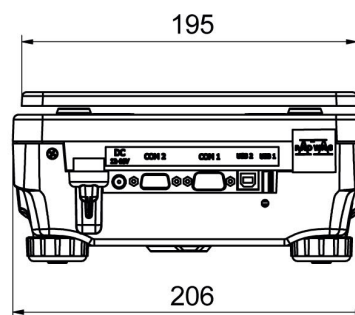
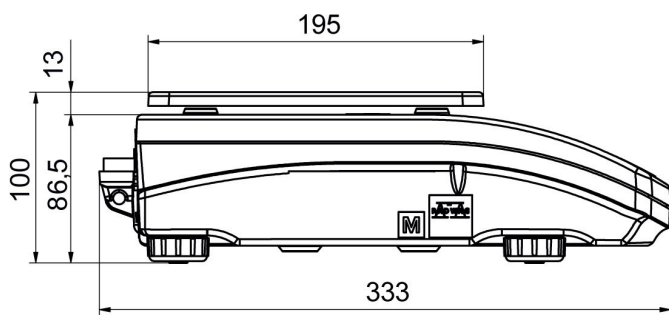
- RADWAG Development Studio [WX-010-0104]

- R-Barcode [WX-010-0109]

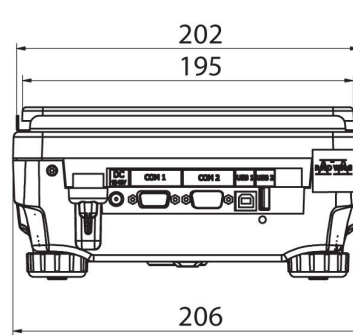
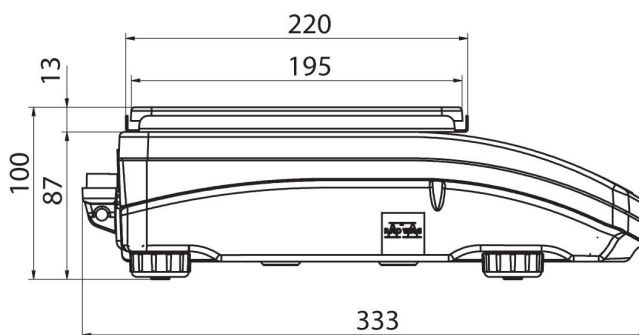
Device dimensions



PS R, d = 1 mg



PS R, d = 10 mg



PS R.M, d = 10 mg