



More information on the website  
[radwag.com/en/info,w1,0TW](http://radwag.com/en/info,w1,0TW)

# PS 10100.R2.M Precision Balance



The drawings, photos and graphics used are for illustrative purposes only.

## Functions



Autotest



Dosing



Percent Weighing



Totalizing



Parts counting



Peak hold



Newton unit measurement



Statistics



Checkweighing



GLP Procedures



Animal weighing



Density determination

## Datasheet

Metrological parameters	
Maximum capacity [Max]	10100 g
Minimum load	0,5 g
Readability [d]	0,01 g
Verification unit [e]	-
Tare range	-10100 g
Minimum weight (USP)	10 g
Minimum weight (U=1%,k=2)	1 g

Metrological parameters	
Repeatability (Max)	0,012 g
Repeatability (5% Max)	0,005 g
Linearity	±0,02 g
Stabilization time	1,5 s
Adjustment	internal (automatic)
OIML Class	-
Sensitivity temperature drift	$2 \times 10^{-6} / ^\circ\text{C} \times \text{Rt}$
Physical parameters	
Leveling system	manual
Display	LCD (backlit)
Protection class	IP 43
Delivery components	Balance, weighing pan, weighing pan shield, power supply
Weighing pan dimensions	195×195 mm
Device dimensions	333×206×107 mm
Packaging dimensions	465×370×290 mm
Net weight	4,5 kg
Gross weight	7 kg
Communication interface	
Communication interface	2×RS232 <sup>1</sup> , USB-A, USB-B, Wi-Fi (option)
Electrical parameters	
Power supply	Adapter: 100 – 240V AC 50/60Hz 0,6A; 12V DC 1,2A Balance: 12 – 15V DC 0,4A max
Power consumption	4 W
Environmental conditions	
Operating temperature	+10 ÷ +40 °C
Storage temperature	-20 ÷ +50 °C
Relative humidity	40% ÷ 80%

Repeatability is expressed as a standard deviation from 10 weighing cycles. Stabilization time depends on the ambient conditions and the dynamics of weighing pan loading; specified for FAST profile. 1 Barcode scanners, available as weighing instrument accessory, communicate with the instrument via RS232 interface exclusively.

\* Wi-Fi® is a registered trademark of Wi-Fi® Alliance.



## Accessories

### Balance Storage Case

- Transport Case for PS, WLC (A1 and A2) Balances [WX-002-0049]

### Power Adapters

- ZR-04/1 Powerbank [WX-015-0329]
- ZR-03/1 Powerbank [WX-015-0319]

### Barcode scanners

- PD9330-AR Barcode Scanner [WX-006-0030]

### Protective cover for balances

- A2 Protective Cover for PS R2.M Balance [WX-015-0229]
- Fabric Dust Cover for PS,WLC Balances [WX-002-0108]

### Receipt Printer

- RTP-UEW80 Radwag Thermal Receipt Printer (USB + Ethernet + WiFi) [WX-007-0118]
- RTP-RU80 Radwag Thermal Receipt Printer (RS232 + USB) [WX-007-0119]

- PM9300-D Barcode Scanner [WX-006-0033]
- LS2208 Barcode Scanner [WX-006-0005]
- PD9530 Barcode Scanner [WX-006-0014]
- DS2208 Barcode Scanner [WX-006-0036]
- PM9300 Barcode Scanner [WX-006-0031]
- PM9300-DK Barcode Scanner [WX-006-0034]

#### Cigarette lighter receptacle power supply cables

- K0047 Car lighter 12V cable [WX-013-0034]

#### USB cable (scale - printer)

- PT0238 USB Cable Type A-B [WX-013-0056]

#### Displays

- WD-6 LCD Display - Plastic Housing [WX-002-0030]

#### Density determination KIT

- KIT 195.M Density Determination Kit [WX-002-0115]

#### THBR 2.0 System - Ambient Conditions Monitoring

- RPanel BOX [WX-015-0216]

#### RS 232, RS 485 cables

- P0108 Cable [WX-013-0003]
- PT0443 Cable [WX-013-0229]
- P0108.5 Cable [WX-013-0161]

#### Under-pan weighing

- Under-pan Weighing Rack for AS and PS Balances [WX-002-0111]
- Under-Pan Weighing Hook (XA, AS, PS) [WX-015-0325]

#### RS 232 cables (scale - printer)

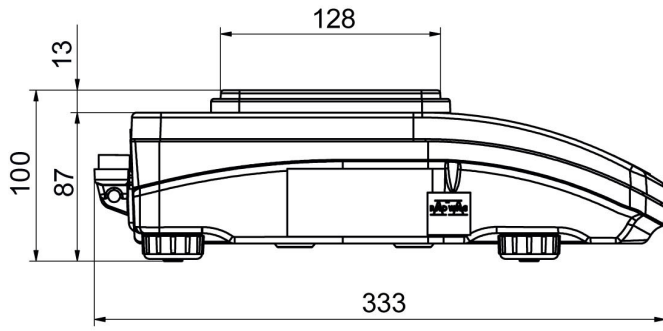
- P0151 Cable [WX-013-0002]

## Software

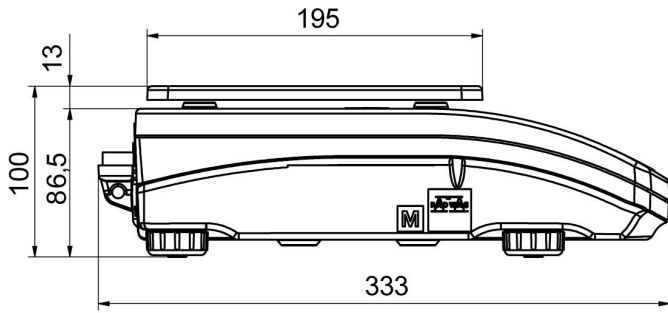
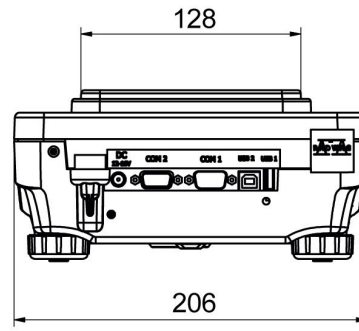
- RAD Key [WX-010-0005]
- R-Panel [WX-010-0187]
- R-Lab [WX-010-0080]
- E2R Weighing Records [WX-010-0038]

- LabVIEW "Radwag Balances & Scale" Driver [WX-010-0105]
- Alibi Reader [WX-010-0114]
- RADWAG Development Studio [WX-010-0104]
- R-Barcode [WX-010-0109]

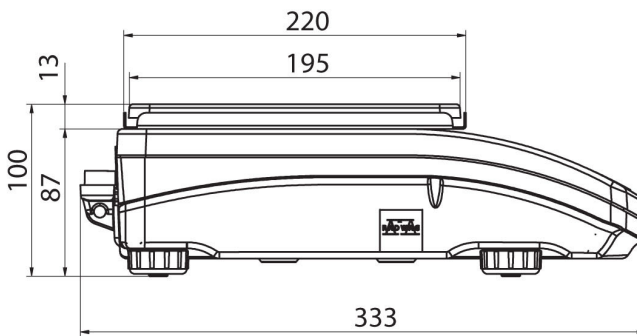
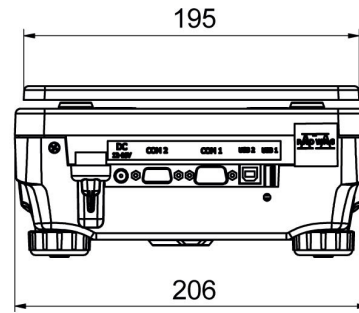
## Device dimensions



PS R, d = 1mg



PS R, d = 10 mg



PS R.M, d = 10 mg

