

DIAPHRAGM VACUUM PUMP LABOPORT® N 938.50 KT.18



Technical features

- 100 % oil-free transfer – thereby pure transferring, evacuation and compression of gases
- Connecting both pump heads in parallel and in series ensures exceptionally fast evacuation
- PTFE-coated diaphragm is ideal for aggressive/ corrosive gases and vapors
- Environmentally friendly
- High level of gas tightness

Technical data

| | |
|---|-------|
| Flow rate [m ³ /h] at atm. pressure | 1.8 |
| Flow rate [l/min] at atm. pressure | 30 |
| Ultimate vacuum [mbar abs.] | 15 |
| Operating pressure [bar] | 0.5 |
| Voltage [V] | 230 |
| Frequencies [Hz] | 50 |
| Motor protection | IP 20 |
| Power P ₁ [W] | 110 |
| Operating current [A] | 0.6 |
| With thermal switch and power fuse | |
| Motors with other voltages and frequencies on request | |

MATERIALS

| | |
|-----------|-------------|
| Pump head | PPS |
| Diaphragm | PTFE-coated |
| Valves | FFPM |

OTHER DATA

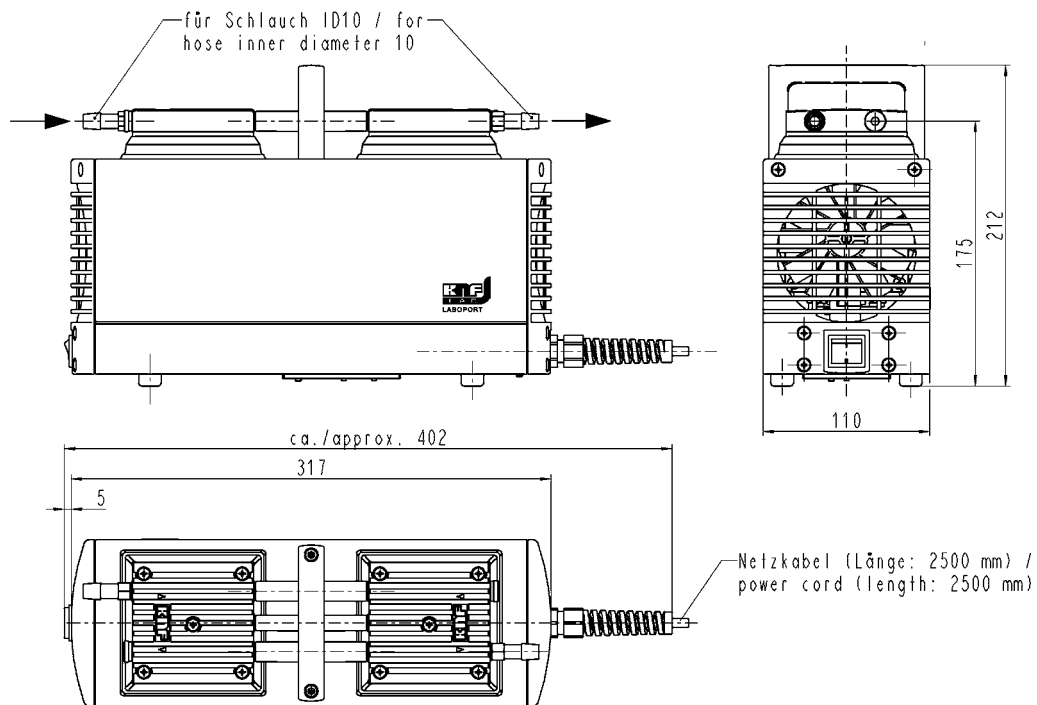
| | |
|--|-----------------|
| Weight [kg] | 6.8 |
| Hose connections | ID 10 |
| Dimensions W x H x D [mm] | 110 x 212 x 317 |
| Permissible media and ambient temperature [°C] | +5 ... +40 |

ACCESSORIES

| | ID |
|--------------------------------------|--------|
| Silencer | 007006 |
| Hose connector G 1/8, ID 10, PVDF | 112004 |
| Fine control valve with vacuum gauge | 112432 |
| Spares kit | 124809 |

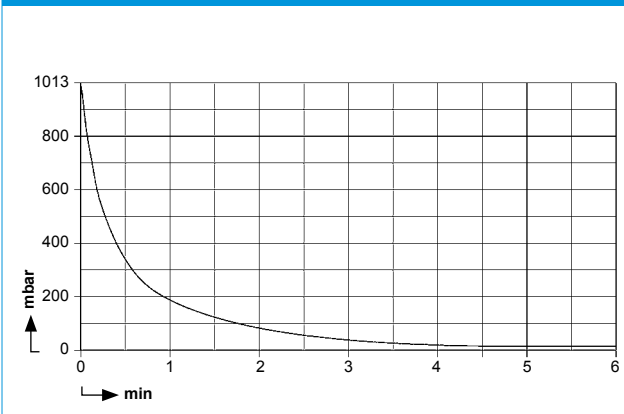
Dimensions

N 938.50 KT.18



Performance characteristics

PUMP DOWN TIME FOR 10 LITER VESSEL



FLOW CAPACITY

