

# DIAPHRAGM VACUUM PUMP N 920 G

DATA SHEET E 218



## Technical features

- 100 % oil-free transfer – thereby pure transferring and evacuation of gases
- High suction speed, particularly in the low vacuum range
- Integrated gas ballast valve
- Integrated rotational speed control enables pumping capacity to be easily adapted manually to process requirements
- Ideal for aggressive/corrosive gases and vapors
- Maintenance-free
- Environmentally friendly

**Tip:** When combined with the VC 900 vacuum control unit and the connection cable, the rotational speed is controlled in accordance with the requirements of the process.

## Technical data

Flow rate [m <sup>3</sup> /h] at atm. pressure	1.26
Flow rate [l/min] at atm. pressure	21
Ultimate vacuum [mbar abs.]	2.0 < 5.0 with gas ballast valve in use
Operating pressure [bar]	0.5
Permissible media temperature [°C]	+5 ... +40
Permissible ambient temperature [°C]	+10 ... +40
Mains [V/Hz]	100 - 240/50 - 60
Motor protection	IP 20
Power P <sub>1</sub> [W]	135
Operating current [A]	1.4
With overcurrent protection and main fuse	

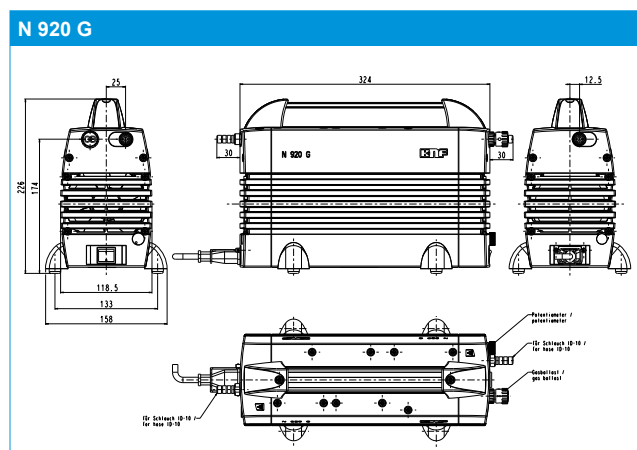
## OTHER DATA

Hose connections [mm]	for tube ID 10
Weight [kg]	8.5
Dimensions W x H x D [mm]	158 x 226 x 324

## MATERIALS

Pump head	PPS
Diaphragm	PTFE-coated
Valves	FFPM

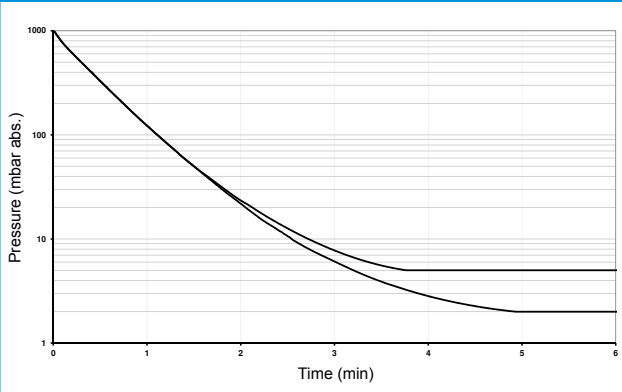
## Dimensions



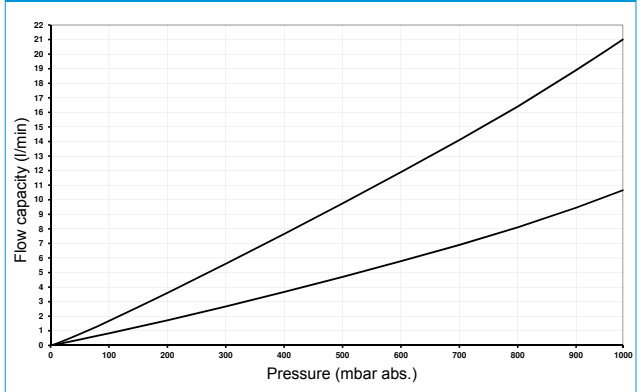
ACCESSORIES	ID
Silencer G 1/8	007006
Fine control valve with vacuum gauge	112432
Small flange, stainless steel SF 16	046625
Spares kit	111905

## Performance characteristics

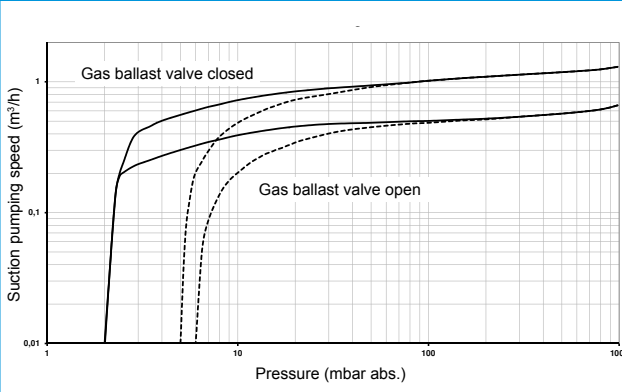
**PUMP DOWN TIME FOR 10 LITER VESSEL AT MAX. MOTOR SPEED, GASBALLAST VALVE OPEN/CLOSED**



**FLOW CAPACITY AT MIN./MAX. MOTOR SPEED GAS BALLAST VALVE CLOSED**



**SUCTION PUMPING SPEED AT MIN./MAX. MOTOR SPEED GAS BALLAST VALVE OPEN/CLOSED**



## Combination possibility

