

MLS

Laboratory Autoclaves

50 L | 80 L



MLS-830L-PE

MLS-530L-PE

Convenient sterilization on demand offers great flexibility

MLS series top-loading autoclaves are a popular method of sterilization for today's life science laboratories.

Self-contained and easy to use, these reliable autoclaves are ideal for a wide range of applications.

User Friendly Design

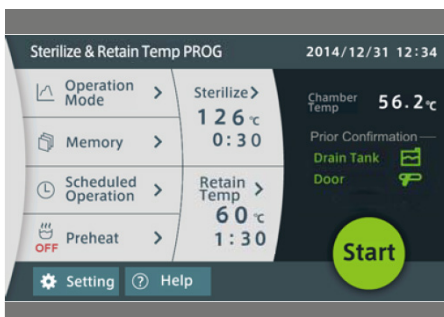
7-inch large color LCD touch screen allows easy operation. Each mode; Instrument sterilization, Fluid sterilization, Sterilize & Retain Temperature and Melt & Retain Temperature can be easily started up.

Accurate & Customizable

A microprocessor monitors and controls steam temperature within the chamber, ensuring that it is maintained at the set value within the 105 °C - 135 °C setting range. Sterilization temperature and time can be easily adjusted as needed.

User Safety

The autoclave is equipped with multiple safety functions, forced cooling and memory functions. The lid has four safety-locking mechanisms.



Variable Applications

The wide range of operating modes makes the unit ideal for many different applications in life science laboratories.



Compact

The compact design is ideal where space is limited. The body of the unit, with its built in exhaust bottle, measures a mere 520 x 660 mm so it will fit in the tightest spaces. Four wheels allow the unit to be easily moved.



Printer

The work conditions shown on the control panel (temperature/pressure inside chamber, sterilizing course, time) can be printed for record-keeping.



MLS Portable Laboratory Autoclaves

PHCbi laboratory autoclaves provide a safe and reliable high pressure steam sterilizing environment within a unit that is particularly easy to use. The permission management function can be set to security High or Low. In High security a password is required to modify sterilization settings and relevant parameters.

MLS-830L-PE

Accurate sterilization operation

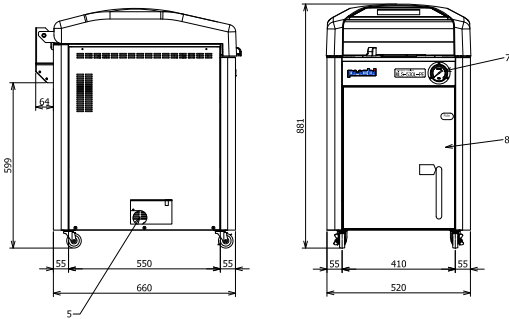
A microprocessor monitors and controls steam temperature within the chamber, ensuring that it is maintained at the set value within the setting range 105°C – 135°C range.

Customizable sterilization program

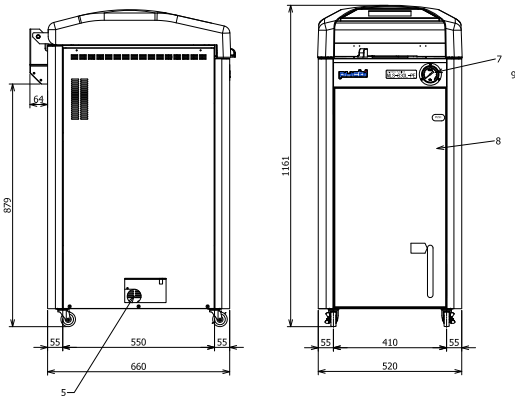
Sterilization temperature and time can be easily adjusted as needed. Latest set values are always stored in the system, even after the autoclave is switched off.

Door protection function

Ergonomic up and down lid opening, with a safety mechanism attached. The lid will not open due to the safety lock mechanism under the high pressure conditions. The door lock prevents and detects the correct closure of the lid.



MLS-530L-PE

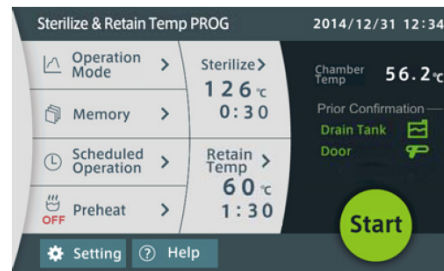


MLS-830L-PE



PHC Europe B.V.
Nijverheidsweg 120 | 4879 AZ Etten-Leur | Netherlands
T: +31 (0) 76 543 3839 | F: +31 (0) 76 541 3732
www.phchd.com/eu/biomedical

Touchscreen display



The 7" touchscreen display allows the user to program various protocols in a very straight forward and easy manner. Personal programs can be saved for future use.

- 7-inch large color LCD touchscreen allows easy operation.
- Four different operation modes can be selected: Instrument Sterilization, Fluid Sterilization, Sterilize & Retain Temperature and Melt & Retain Temperature.
- Scheduled operation allows shortening preparation time and improves workflow efficiency.
- An optional sample temperature sensor can be used for temperature management and maximize the effectiveness of sterilization.

Model Number		MLS-530L-PE	MLS-830L-PE
External Dimensions (W x D x H)	mm	520 x 660 x 881	520 x 660 x 1161
Internal Dimensions	Ø mm	370 x 470	370 x 750
Volume	liters	50	80
Net Weight (approx)	kg	105	125
Performance			
Pressure Gauge Range		0 - 0.4 Mpa	
Sterilization temperature	°C	105 - 135	
Melt temperature	°C	60 - 110	
Retain temperature	°C	45 - 60	
Preheat temperature	°C	45 - 80	
Operating ambient temp	°C	5 - 35	
Timer setting range		1min to 99h59min	
Max. Operating pressure		0.255 Mpa	
Powersource (50/60 Hz)			
Voltage	V	AC220/230/240V	
Sterilize current		11.2 / 11.7 / 12.2A	13.8 / 14.5 / 15.1A
Amp		16 Amp minimum	20 Amp minimum
Control			
Temperature control		Microprocessor PID control	
Construction			
Interior material		Stainless Steel (SUS 304)	
Stainless steel baskets		2	3
Dimension baskets	Ø mm	332 x 195,5	
Drain bottle		5 ltr, polyethylene	
Power plug		Not included*	
Options			
Sample temperature sensor		MLS-30SS-PE	
Pressure transmitter		MLS-30PG-PE	
Printer		MLS-30PR-PE	
Plain printing paper		MLS-30PR-P-PE	
Printer cartridge (Box of 1 cartridge)		MLS-30PR-C-PE	
Mesh basket		MLS-30B-PE: ø332*H195.5	
Sterilization barrel (with holes)		MLS-C30-PE: ø333*H201	
Sterilization barrel (without holes)		MLS-PB30-PE: ø333*H201	
Safety devices			
		Chamber Temp Sensor Error, Main SSR Short Circuit Error, Main Heater Element, Low Water Error, Door Lock Error, Door Lock, Release Error, Abnormal Bottle Setting, Memory Error, Pressure Safety Valve (0.255MPa)	

Appearance and specifications are subject to change without notice.

*MLS Autoclaves are supplied without electric plug. Installation of the plug upon request